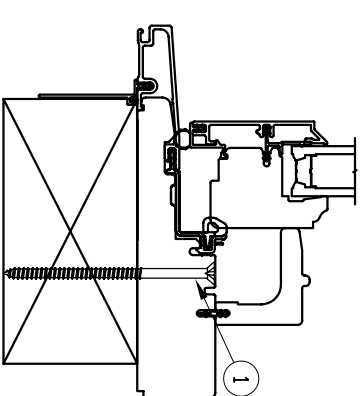
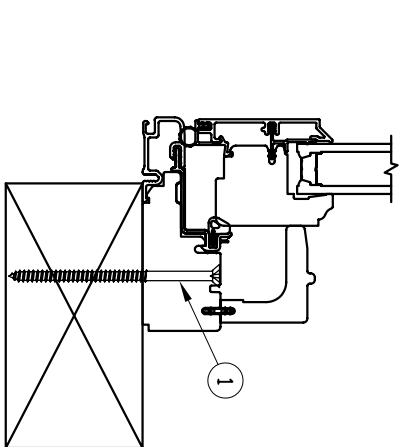
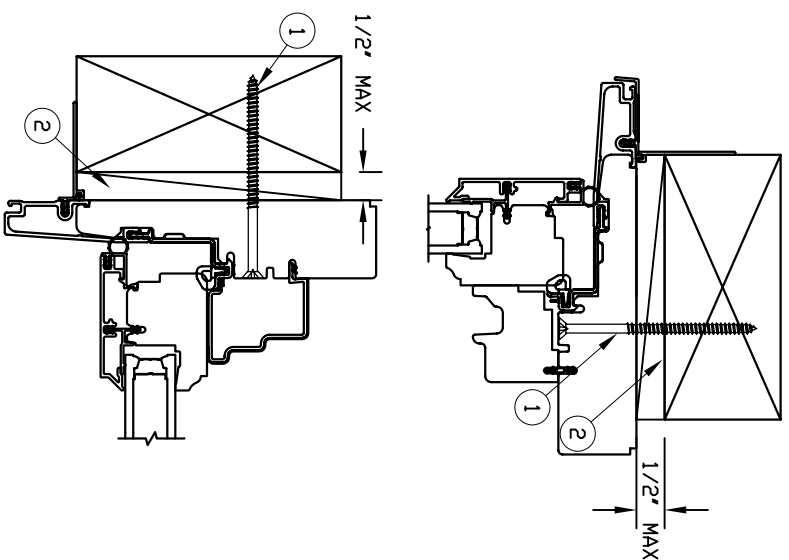
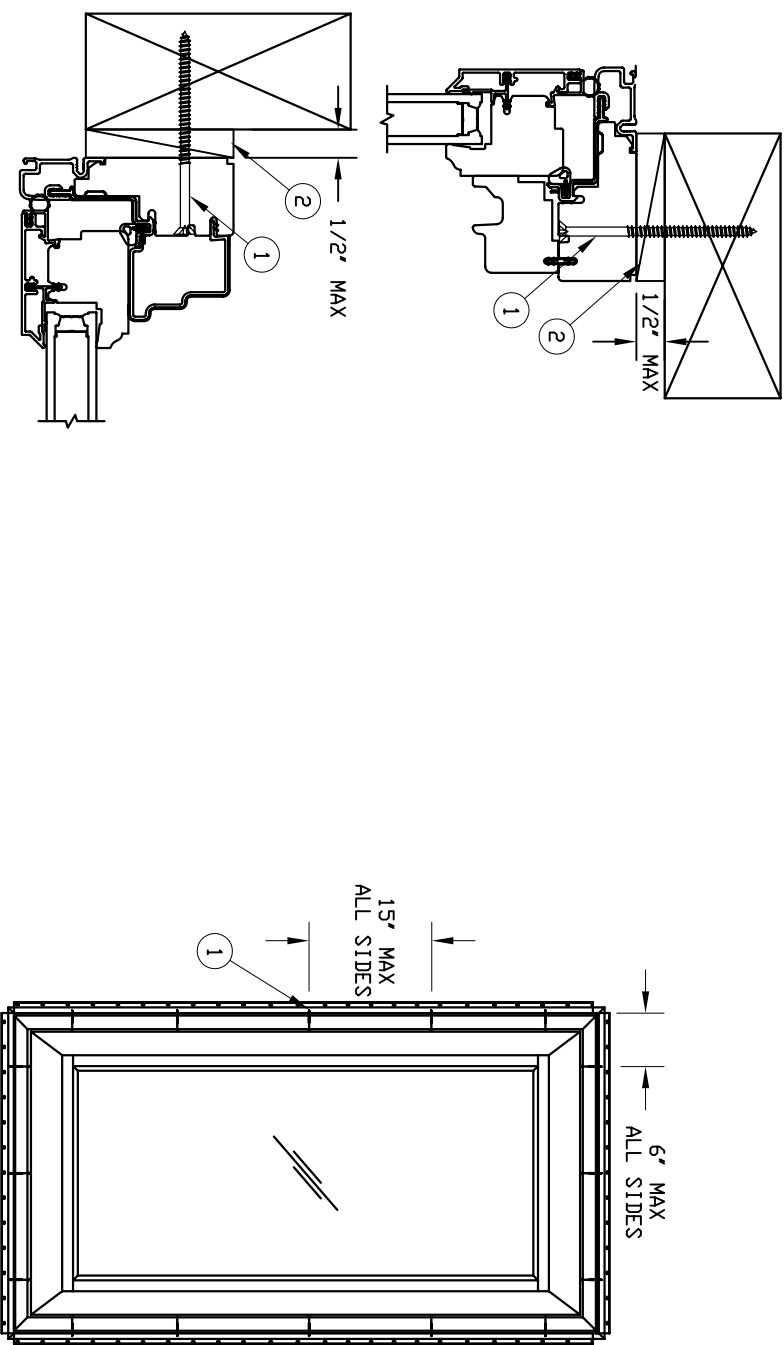


JAMB SCREW INSTALLATION



REPLACEMENT PRODUCT DETAILS

FULL FRAME PRODUCT DETAILS

JAMB SCREW INSTALLATION METHOD:

- UNIT MUST NOT BE IN DIRECT CONTACT WITH EITHER CONCRETE OR TREATED BUCK MATERIAL. IF SHIM SPACE IS LESS THAN 1/8" WRAPPING THE UNIT ON ALL 4 SIDES WITH WINDOW FLASHING TAPE IS REQUIRED AS A BARRIER BETWEEN THE UNIT AND CONCRETE OR TREATED LUMBER.
- MINIMUM OF 2 PER SIDE.
- SECURE ALL SIDES WITH #8 X 3" SCREWS.
- SHIM AT EACH SCREW LOCATION.
- SCREWS MUST BE A MINIMUM OF 1 INCH FROM EACH EDGE OF THE BUCK.
- SCREWS MUST HAVE A MINIMUM OF 1.250" OF PENETRATION INTO BUCK.
- ALTERNATE SUBSTRATES ALSO APPLY PROVIDED SCREW SIZE IS EQUAL TO OR LARGER THAN A #8 SCREW.
- FOR DIRECT MOUNT TO CONCRETE 3/16" CONCRETE SCREWS MAY BE SUBSTITUTED FOR THE # 8 SCREWS, THE SCREW MUST BE FULLY SUPPORTED BY SHIM MATERIAL AND HAVE A MINIMUM EDGE DISTANCE OF 2" AND MINIMUM PENETRATION OF 1 1/4".
- MAXIMUM SHIM SPACE BETWEEN CONCRETE AND UNIT IS 3/4".

NOTES FOR ALL METHODS:

1. THIS PRINT IS FOR STRUCTURAL PERFORMANCE ONLY. FOR FLASHING & SEALING INSTRUCTIONS, REFER TO THE INSTALLATION INSTRUCTIONS.

2. SHIMS

- PLACE A SHIM WITHIN 4-6 INCHES OF EACH CORNER AND SPACE ALL OTHERS EVENLY A MAXIMUM OF 15" APART.

3. IF CHEMICALLY TREATED LUMBER IS USED FOR BUCK MATERIAL, FASTENERS INTO THE BUCK MUST BE A MINIMUM OF 0.90 OZ/FT² ZINC HOT DIPPED GALVANIZED OR STAINLESS STEEL TYPE 304 OR 316.

4. FOR LIMITATIONS AND CONDITIONS OF USE REFER TO FL 10321, 10323 AND FL 10325.

CHECKED:		WOOD TREATMENT SPEC:	
APPROVED:		ETREAT	
DWG CLASS: MISC		EDO NOT	
UNSPECIFIED TOLERANCES:		MATERIAL: N/A	
DECIMALS: XX = ±.03	ANGLE: ±.5°	SCALE: DATE: 2/14/2008	DRAWN BY: JOHN SOPKOWIAK
FAB LINEALS: +.125		SHEET: 1 OF 1	
2	SHIM		
1	#8 X 3.000 WOOD SCREW		

WOOD TREATMENT SPEC: MARIWIN RESEARCH AND DEVELOPMENT
 BOX 100, WARROAD, MN 56763
 WINDOWS&DOORS (218) 386-1430 FAX 386-4205

PRODUCT LINE: ULTIMATE CASEMENT
 PRODUCT: CURAWN, CURCA, CURCAP, CUAWN, CUCA, CUCAP

INSTALLATION
 FL 10321, 10323, 10325

FL 10321, 10323, 10325